

# WIRELESS AV SYSTEM



27988  
27988R  
27984R  
27988HS

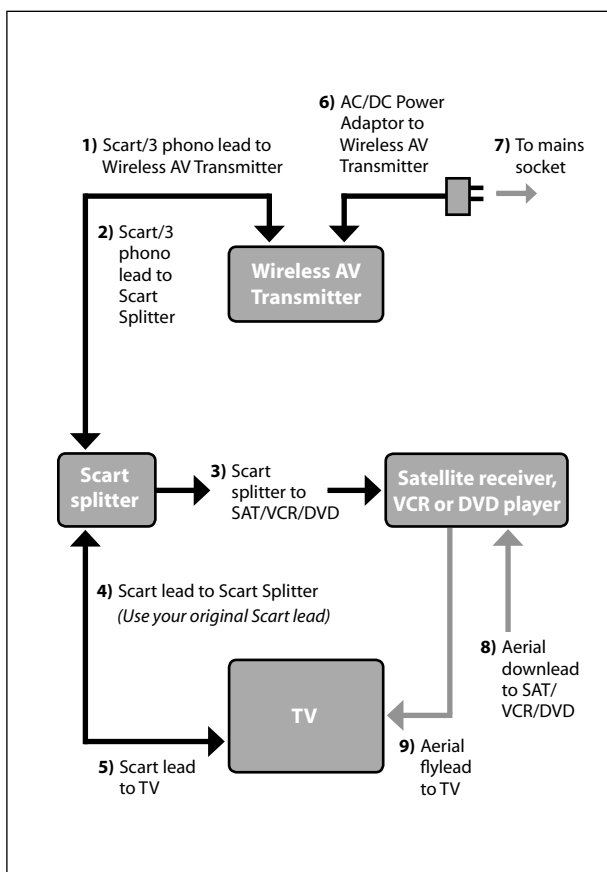
# USER GUIDE

Philex Customer Careline 08457 573479

## Transmitting audio/video

## from your satellite, VCR or DVD player

- 1) Connect the Scart/3 phono lead to the phono connections at the rear of the Wireless AV Transmitter.
- 2) Connect the other end to the input on the Scart splitter.
- 3) Connect Scart splitter to Scart television output on the rear of the satellite receiver/VCR/DVD player.
- 4) Connect one end of your original Scart lead to the Scart splitter.
- 5) Connect the other end of your original Scart lead to the Scart socket at the rear of the television.
- 6) Connect the cord of the AC/DC power adaptor to 9v DC input at the rear of the Wireless AV Transmitter.
- 7) Plug the AC/DC power adaptor into a mains socket (only use the power adaptor supplied).
- 8) Connect UHF aerial downlead to aerial input on rear of satellite receiver/VCR/DVD player.
- 9) Connect flylead from the rear of the satellite receiver/VCR/DVD player to the aerial input on the TV.



## Getting the best reception

- Both the AV transmitter and receiver units should be placed on flat, stable surfaces.
- Minimise the number of obstacles between the AV transmitter and receiver.
- Ensure that both transmitter and receiver are stood upright. Sound/picture quality may be

improved slightly by adjusting the direction of the units.

However, the AV transmitter and receiver both use integrated omni-directional aerials that, for the most part, do not rely on a specific direction/orientation for the optimum performance.

## Setting up the Wireless AV transmitter/receiver system

**Once you have connected your source AV equipment (eg. VCR, DVD player, satellite receiver, cable box, camcorder, Hi-Fi, etc.) to the Wireless AV transmitter, you must next connect the Wireless AV receiver to your TV, display or powered speakers – whatever equipment is appropriate for the type of signal being received.**

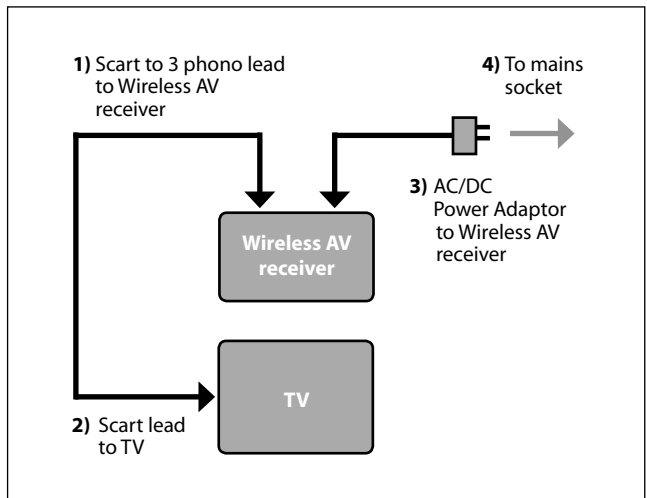
If you are connecting to a TV, there are two different ways of making a connection:

- Connecting the Wireless AV receiver directly to your TV.
- Connecting the Wireless AV receiver to your TV via a VCR (if your TV does not have a Scart socket, for example).

If your TV has a picture-in-picture facility, you can view the received video signal as a small inset picture on your TV whilst watching other TV programmes. Refer to your TV instruction manual for details.

## Receiving audio/video directly on your TV

- 1) Connect one end of the Scart to 3 phono lead to the 3 phono connection at the rear of the Wireless AV receiver.
- 2) Connect the other end of the Scart lead to the AV IN Scart socket at the back of your TV.
- 3) Connect the cord of the AC/DC power adaptor to the 9v DC input at the rear of the Wireless AV transmitter.
- 4) Plug the AC/DC power adaptor into a mains socket (only use the power adaptor supplied).



## Using the remote control extender

The AV transmitter/receiver system allows you to control the playback and/or operation of a number of different AV devices from the second viewing location using the original remote control supplied with your AV equipment.

The infra-red control signal from each of your remote controls is converted into an RF signal by the AV receiver unit which is beamed to the AV transmitter unit. The transmitter converts the signal back to infra-red and beams it to each AV device using the infra-red extender cable.

Before using this feature, please ensure that the infra-red eyes of the extender cable have been arranged correctly, so that they align with the infra-red control windows of each AV device.

- Plug the infra-red extender cable into the 2.5mm jack socket at rear of the AV transmitter unit.
- Arrange each infra-red eye so that it is immediately adjacent to the infra-red control window (i.e. where you aim the remote control) for each AV device.
- Using the supplied fixing pads, stick each infra-red eye in place.

## Troubleshooting

- If your house has a heavy metal construction or is equipped with a PC network, it can disturb the radio signal. Even moving the units a few inches can improve the performance. If this doesn't work try to move the TRANSMITTER and RECEIVER to another place in the house. If you experience problems, try placing the units away from electrical appliances.
- If the picture on your second TV is not correct, select "EXT" or "AV" on second TV, and make sure that the video source is switched on.
- If you cannot control the video source from your second TV when using a remote control, reposition the IR Eye on the video source OR place the IR Eye 2" to 4" (5 to 10cm) in front of the video source.
- If your S-VHS video shows no colour pictures (only black and white), select CVBS video output format for your S-VHS VCR.
- If your DVD player gives no pictures on either main or second TV, select CVBS video output format for your DVD player (check the DVD player's user manual).

*If problems persist, please contact*

**Philex Customer Careline: 08457 573 479**

(Local rate – UK only)

**Technical Support: <http://technical.philex.com>**

